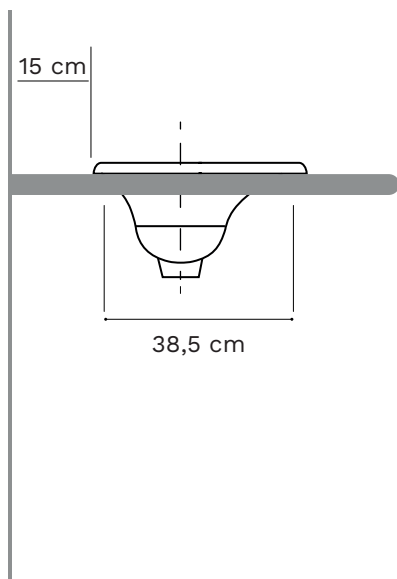


Bregno

terzofoco

Specific weight 7.6 kg

TYPE OVERTOP SEMI INSERT INSERT



REVERSIBLE

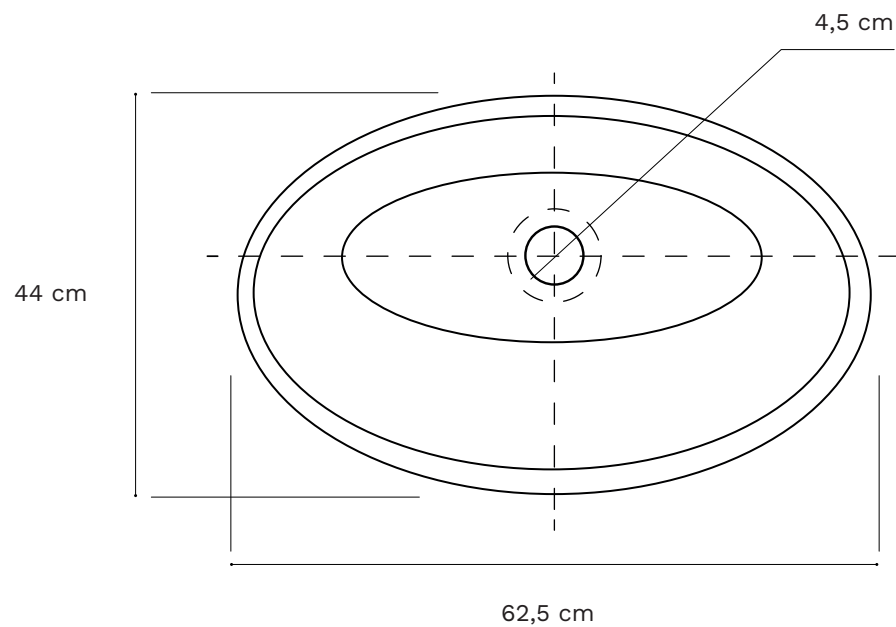
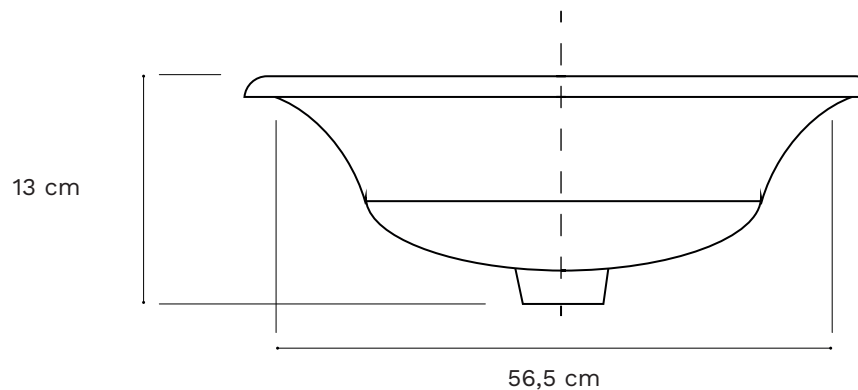
Our Style Center has created a product that allows the final customer to porter Choose the configuration you prefer, the sink can be mounted both on the decorated side and on the smooth side, with the same attention to detail.

CARE ISTRUCTIONS

In order to preserve the appearance and durability of product, never use abrasive sponges, hydrochloric or acetic acids, ammonia or metal silicates.

UNIQUENESS

Many products are made of technical ceramic glazing or natural, woods or metals. Because of natural variations, and/or handmade process of the products, slight differences are expeted and are not deemed manufacturing defects.



Tolerance: +/- 2%

STILE LIBERO SRL

Via delle Comunicazioni n 20 - 06135 - PONTE SAN GIOVANNI (PG) - Cod.Fisc e Part IVA 030499080541
Tel +39 075 97 10 567 - info@stileliberosrl.it